

Installation Manual

ENFORCER[®]

SK-919DWS-B

Wired Single-Channel RF Transmitter



FEATURES:

- Powered by internal battery or external 12VDC regulated adapter.
- Operates up to 500 feet.
- Frequency 315 MHz (433.92 MHz also available)
- Over 68 billion (6.8×10^{10}) possible codes.
- LED transmission indicator.
- Includes one 12VDC alkaline battery.
- Compatible with all SECO-LARM receivers.
- Compact size 2" x 1.5" x 0.59" (50 x 38 x 15mm)
- Wiring: Two, 6-inch blue wires for N.O. switch input.
Two, 6-inch wires (red & black) for 12VDC power input.
- **SK-919DWS-BU** – same as SK-919DWS-B, but no logo.

Compatible Receivers:



SK-910R – 1-Channel



SK-910RA – 1-Channel



SK-910R2 – 2-Channel



SK-910RAV – 1-Channel



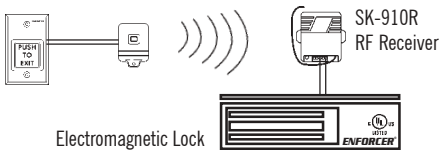
SK-910R4 – 4-Channel



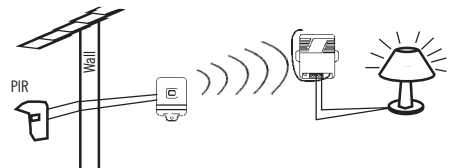
SK-910RAV2 – 2-Channel

TYPICAL APPLICATIONS:

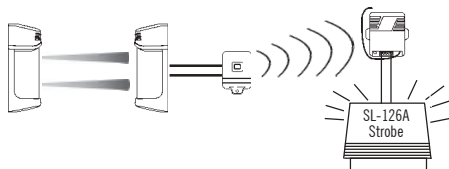
- ▶ Make any push-to-exit plate wireless.



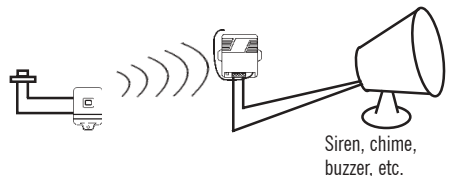
- ▶ Wireless equipment / perimeter security.



- ▶ Convert Dual-Beam sensors with dry contacts into entry alert system.



- ▶ Wireless doorbell / Service call button.



INSTALLATION:

1) Power Connection – The wired transmitter can be powered by the factory preinstalled 12VDC alkaline battery or by an external 12VDC regulated adapter (not included).

If an external power adapter is preferred, connect the red & black wires of the wired transmitter to the adapter's output wires. Correct wire polarity must be observed. Red wire is for positive and black wire is for negative.

NOTE: a) The power input range of the wired transmitter unit is 9~13.8VDC. Connecting more than 13.8VDC power or reversing the polarity will burn out the unit and void the warranty.

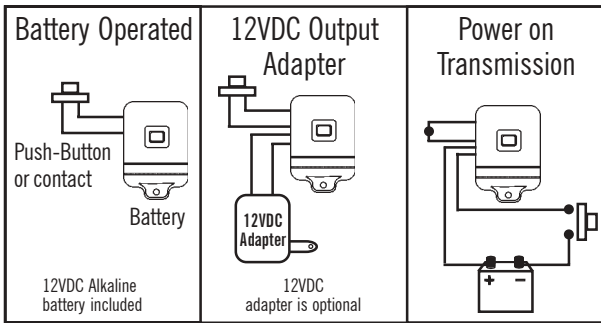
b) Use only 12VDC "regulated" adapters to power the wired transmitter.

c) There is a factory-preinstalled 12VDC alkaline battery inside the wired transmitter unit. If it is necessary to connect an external adapter, first remove the internal alkaline battery. Otherwise the internal battery will become defective and may overheat, leak, or explode.

2.) External Switch Connection – Aside from its own built-in single button, the wired transmitter can also be controlled by an external N.O. pushbutton / sensor switch (not included), or use both the built-in & external switches (see Example Connection Diagram below). If an additional external N.O. switch is necessary, connect the two blue wires to the switch terminal.

NOTE: If the red & black or the two blue wire pairs are not being used, the tips of the wires (where the copper is exposed) must be cut or wrapped to avoid a short circuit.

Example Connection Diagrams:



WARRANTY: ENFORCER Wired Single-Channel RF Transmitters are warranted against defects in material and workmanship while used in normal service for a period of one (1) year from the date of sale to the original customer. Our obligation is limited to the repair or replacement of any defective part if the unit is returned, transportation pre-paid, to SECO-LARM.

NOTICE

The information and specifications printed in this manual are current at the time of publication. However, the SECO-LARM policy is one of continual development and improvement. For this reason, SECO-LARM reserves the right to change specifications without notice. SECO-LARM is also not responsible for misprints or typographical errors.

Copyright © 2006 SECO-LARM U.S.A., Inc. All rights reserved. This material may not be reproduced or copied, in whole or in part, without the written permission of SECO-LARM.

SECO-LARM® U.S.A., Inc.

16842 Millikan Avenue, Irvine, CA 92606

Website: www.seco-larm.com

Tel: 800-662-0800 / 949-261-2999 Fax: 949-261-7326

E-mail: sales@seco-larm.com