



---

# MANUAL

## Cell Telephone Entry

### ECGO (ACCESS CONTROL SYSTEM)



**For your protection, read these instructions completely  
and keep them for future reference.**

**Thank you for purchasing ECGO. Please read this manual carefully before using.  
Be sure to keep this manual for future reference in case of any problem or question should arise.**

## **IMPORTANT SAFTY INSTRUCTIONS**

When using this ECGO, basic safety precautions should always be followed to reduce the risk of fire, electric shock and personal injury. Please read the following before using your equipment.

1. Follow all warning and instructions on the product.
2. Unplug all the connections of product before cleaning. Do not use liquid cleaners or aerosol cleaners. Use a damp cloth for cleaning.
3. Do not use this product around Sprinkler outlets..
4. Do not use this product near an area where there is a potential of gas leaks or near any fumes that can be explosive.
5. Do not place this equipment near or over a radiator or any other heat source.
6. Do not overload the wall outlet or power cord where the power adapter is installed. This can result in fire or electric shock
7. Avoid spilling liquid on this equipment and do not insert any objects through the ventilation slots.
8. Avoid using the equipment during an electrical storm. There is a remote risk of electrical shock from lighting.

## ECGO INTRODUCTION

The ECGO is a telephone entry system, installed at the entrance of a building or outside gate area. It is an ideal product replacing the traditional door/gate phone. It allows you to speak with visitors standing at the entrance of your company or house entrance from a remote location. A visitor, by simply pressing the Call button establishes a mobile call with you. During the call you will be able to activate two devices, whether it is gate or activating / de-activating any other devices by pressing appropriate digits.

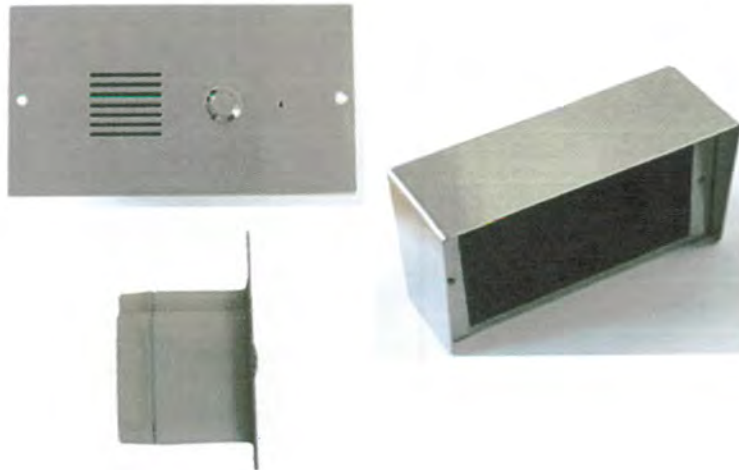
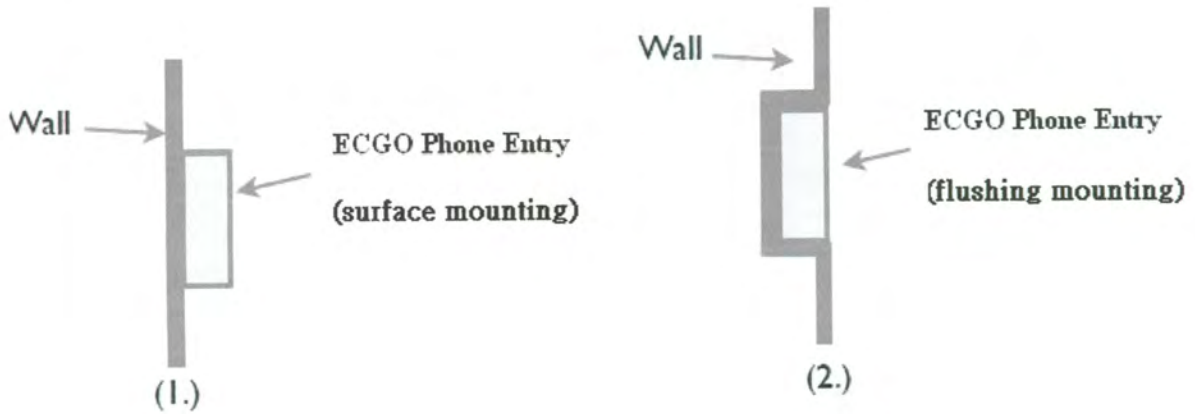
This ECGO gives you the opportunity not only to know who is waiting at the entrance from a remote location but also to control the access point. Use of ECGO at your company or house does not require any special installation and wiring. Simply install the ECGO and connect out put to gate operator and power supply.

### ECGO WITH ACCESSORIES

Item	Description	Qty	Included	Optional
1	ECGO Telephone Entry	1	☐	
2	Power adapter	1	☐	
3	External antenna	1	☐	
4	Mounting Bracket for antenna	1	☐	
5	Operational manual	1	☐	

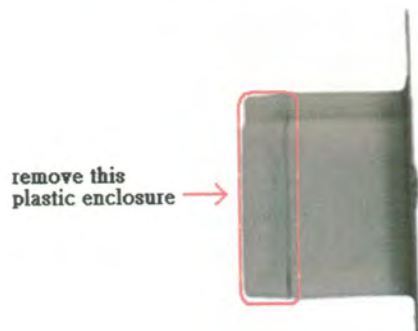
## INSTALLATION

This ECGO is suitable for both flush and surface mounting.

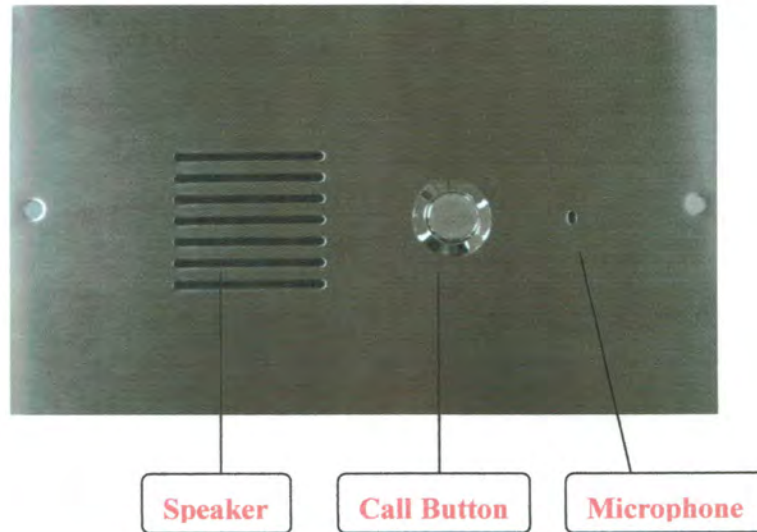


### Note:

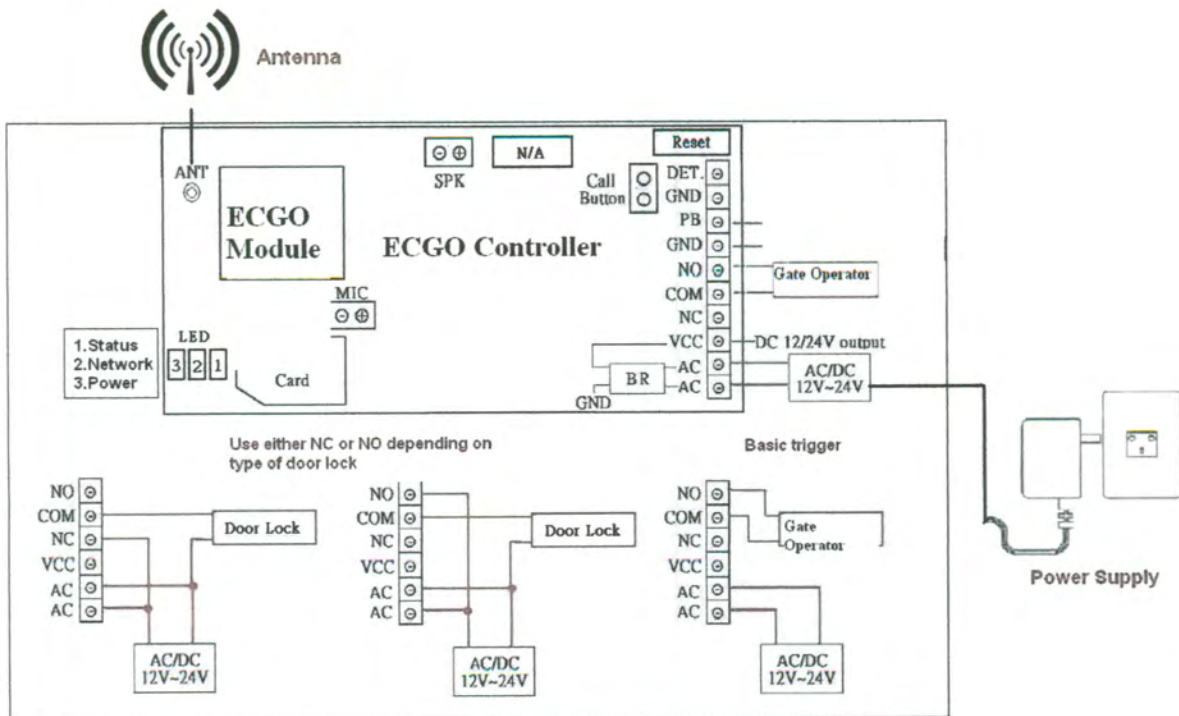
For surface mounting, you will have to remove the plastic enclosure before fitting main station into the stainless steel cabinet.



## ECGO Unit



## Wiring Diagram



1. For Hard Reset Power Down, Jump PB&GND power up, Push Reset Button for Hard Reset Power down and remove Jumper. Returns unit back to factory default.

### LED Status Indicator

LED	Status
Red (standby)	Flashing
Red (using)	Solid

#### 2. LED 'Network' Indicator

LED	Status
Red (ready)	Flashes once per 3 seconds
Red (searching)	Flashes once per second
Red (busy)	Solid

#### 3. LED "Power" Indicator

LED	Status
Red (power on)	Solid
Red (power off)	Off

#### 1. SIM card

Insert the SIM card into the SIM card holder and close it carefully.

#### 2. Power Supply

Connect a 12 volt DC power supply to terminals marked "12V~24V AC/DC"

The ECGO is designed to work with power supplies 12V~24V AC/DC.

The power supply should be capable of supplying a constant current of no less than 1 amp,

#### 4. Antenna

The antenna connects to the SMA female bulkhead on the rear of the panel.

Be very careful to not damage antenna wire

## Tips short cuts

### **Add a Manager/Owner**

#### **Programming Unit Via Text Messaging**

You can use any text messaging method, your cell Phone Computer, Etc. Google Voice works great or [www.onlinetextmessage.com](http://www.onlinetextmessage.com). Just enter the programming codes into your text message (See Examples below). Type units phone Number (that came with sim card) then Type the code Into the message box and hit enter or send message. Once This has been done your computer or your cell will receive a message from the Unit stating that the unit received the Message "OK" That's it your done. If you do not get the OK Message (may take 30—40 secs)

You must resend text again.

### **EXAMPLE**

#### **Programming Owners (See Foot Note)**

##### **Programming Owners Phone up to 3 Numbers Function 4**

Add Owner 1 \*12\*1234#11 (1) (area code)(Phone Number)#

Add Owner 2 \*12\*1234#12 (1) (area code)PhoneNumber)#

Add Owner 3 \*12\*1234#13 (1) (area code)(Phone Number)#

#### **Programming USERS**

##### **Programming Ring to Open Gate up to 100 Users Function 11**

to add a user \*12\*1234#72 (1) (area code)(Phone Number)#

to delete a user \*12\*1234#73 (1) (area code)(Phone Number)#

#### **"Foot Note"**

**Note (1) before area code may or may not have to be used depending on Cell Carrier.**

**Check Signal Strength: send a text message \*20# you will**

**Receive a message of the signal strength from the ECGO**

**See Function Page for Function Programming Codes**

**When owner is called**

**Hit \* to Momentary Trigger gate to Open.**

**Hit # to Latch gate open**

**Hit 1 to unlatch gate.**

**Send text \*22# for Relay Status**

**Call In Relay Via SMS Trigger as a text**

**\*33\*5678# Momentary Trigger**

**\*34\*5678# Latch on**

## **Helpful Hints**

**Use very lite gauge wire like 22ga stranded when wiring the unit for open command**

**Seal unit with silicone (NOT THE COVER) Bolt hole corners etc.**

**Be very careful with antenna when installing cover. Tape antenna connection with electrical tape. Do Not Pinch Antenna Cable when installing cover.**

**DO NOT USE UNIT AROUND SPRINKLER SYSTEM. Disconnect power when servicing equipment.**

**When programming a Ring to open or Owner you may or may not have to program a 1 before the area code. Pending the cell carrier.**

**If unit is beeping and never stops its because you don't have a strong cell signal move antenna around. until beeping stops.**



## Programming by text message

Programming by text message is the simplest way to customize the settings of the ECGO and add or delete telephone numbers. Simply send texts in the format to the telephone number of the SIM within the ECGO. (All the programming features can be setup by text messages)

Note:

**Text messages are limited to 140 characters per piece when using SMS programming.**

### **Example:      Advanced entering (3 #'s at a time)**

Store Owner phone numbers (refer to function code No.4)

Phone numbers: (it is stored as a telephone number called from the call push button)

- 1 7047682230
- 2 9805221855
- 3 7047780834

#### **Function code correct**

Send

\*12\*1234#117047682230#129805221855#137047780834#

(owner 1)            (owner2)            (owner3)

Reply

117047682230#129805221855#137047780384# OK

#### **Function code error**

Send

\*12\*1234#117047682230#199805221855#137047780384#

Reply

117047682230#199805221855# Error

#### **Check ECGO signal strength (0~4 levels)**

When a request for ECGO signal strength message is sent to the ECGO it will reply with a one digit signal strength code. The code will be between 0~4 means the signal level is from poor to best.

Signal strength lower than **level 3** may cause operational problems such as loss of speech quality (and possibly missing DTMF tones) and network loss. Move antenna for best signal.

Send    text    \*20#    you will receive a text back stating strength

## ECGO OPERATION

### Visitor:

When the visitor pushes the call button to activate the ECGO ring tone will be heard from the ECGO. At the same time connection is established with the phone number that is stored in the ECGO if the first number is busy or not answered the call can be diverted to the second and the third. The remote phone answers the call from ECGO and starts conversation with the visitors. During conversation press\* on your mobile for gate open. The relay switches can also be temporarily or permanently switched on or off by press # and 1 NOTE: \* to Open Gate, # to Latch Gate Open, 1 to unlatch gate.

### Calling in to Unit Function Code

No.	Feature	Function Code	Description	Default
1	Enter Programming Mode	*12*+< password>#	Programming by calling	1234
2	Enter Monitoring Mode	*13*+< password>#	To hear the surroundings where the ECGO installed	1212
3	Enter Access control Mode (Trigger relay)	*33*+< password>#	Password mode access option	5678
4	Hold Relay	*34*+< password>#	To hold relay to keep gate opened	5678
5	Release Relay	*35*+< password>#	To release relay for gate close	5678

### SEND SMS TEXT MESSAGE TO GATE LATCH OR UNLATCH MODE

Trigger Relay by text: \*33\*5678#

5678 being the PASSWORD

Latch or Hold Relay: \*34\*5678#

Release Relay: \*35\*5678#

### Check Relay Status

You can send SMS Text to check relay status.

Send \*22#

Reply Relay=ON Detect = ON □ Relay=Hold , Detect=GND □

<b>ECGO Specification</b>	
Operating Voltage	12 to 24 Volt DC/AC
Operating Current	Maximum 250mA, Typically 55mA
Frequency	850/900/1800/1900 or 900/1800 MHz
Physical size	Face plate: 170 x 100 mm, Stainless cabinet: 174 x 113 x 65 mm
Length of antenna	3 meters cable
Humidity	Less than 80% RH
Operating Temperature	-20° to 50°

## Function Code Table

No.	Feature	Function Code	Description	Default
1	Change password of Programming Mode	<b>01 + password</b> □	password:4 digit codes	1234
2	Change password of Access control Mode	<b>02 + password</b> □	password:4 digit codes	5678
3	Change password of Monitoring Mode	<b>03+ password</b> □	password:4 digit codes	1212
4	Store phone number (Max:3 numbers)	<b>1 + n +phone number</b> □	n=1~3 phone No.:3~15 digit codes	None
5	Speaker Volume	<b>3 + speaker volume</b> □	volume:0~4 levels	3
6	Microphone Volume	<b>4 + microphone volume</b> □	volume:0~4 levels	3
7	Relay Time	<b>51 + relay time</b> □	relay time= n *0.5sec n:1~9	1
8	Divert Time	<b>52 +divert time</b> □	divert time :10~99 sec (2 digit codes)	20 sec
9	Call Time	<b>53+call time#</b>	call time:005~999 sec (3 digit codes) Must enter 3 digits	060 sec
10	Ring in to open the door (Max: 100 numbers)	<b>71+MCC# (country code)</b> <b>72+Add phone number#</b> <b>73+Del phone number#</b> <b>73*#Del all numbers</b>	MCC:1~3 digit codes Add number: 3~15 digit codes Del number: 3~15 digit codes	886
11	Add administrator phone number for SMS programming	<b>74+ TEL #</b> □3~15 digits	To add administrator phone number ( no number no restriction)	None
12	Delete administrator phone number for SMS programming	<b>74*#</b>	To delete administrator phone number	None
13	Relay Trigger	<b>61 + N</b> □	X=0~9 / * /□	*
14	Relay Hold	<b>63+ N</b> □	X=0~9 / * /□	#
15	Relay Release	<b>64+ N</b> □	X=0~9 / * /□	1
16	Reset	<b>999</b> □	reset default	None

**SMS formation (one formation for one text, limit: 140 letters)**

No.	Function	Function code	SMS content
1	Programming by text message	*12*+<password>#+Function Code1# + Code2#+ Code3#.....	successful: Function Code#..... OK failed□Function Code#..... Error
2	check signal strength	*20#	Signal Level = X (X= 0~4) 0□poor / 4: strong
3	Check relay status	*22#	Relay=<status>,Detect=<status> Status: ON / OFF
4	SMS data error □	Only 0~9□*□# are available	SMS Data Error
5	Function code error □		Function Code Error

□ No administrator phone number stored no reply

## **ADVANCE PROGRAMMING IF NEEDED**

### **Dialing into the ECGO from another telephone**

There are three possible outcomes to dial into the ECGO after entering manager mode.

1. Listener monitoring mode
2. Access control mode
3. Programming mode

### **User: (Manager Mode)**

There are 3 different modes under manager mode.

### **Enter Listener Monitoring Mode**

1. Call the telephone number to which ECGO is connected.
2. This device will then verify your phone number with your predefined numbers.
3. You will hear a “Do” tone to enter listener monitoring mode by pressing \*13\*1212 where 1212 is the password.
4. You are now in the “listener monitoring mode”.
5. Under this mode speaker is OFF. (35: speaker ON)
6. You can still control the relay output when you are under listener monitoring mode.

### **Enter Access Control Mode**

1. Call the telephone number to which ECGO is connected.
2. This device will then verify your phone number with your predefined numbers.
3. You will hear a “Do” tone to enter access control mode by pressing \*33\*5678 where 5678 is the password.
4. Your gate will be opened after enter the correct password

### **Dialing into the ECGO from another telephone**

There are three possible outcomes to dial into the ECGO after entering manager mode.

1. Listener monitoring mode
2. Access control mode
3. Programming mode

## User: (Manager Mode)

There are 3 different modes under manager mode.

### Enter Listener Monitoring Mode

7. Call the telephone number to which ECGO is connected.
8. This device will then verify your phone number with your predefined numbers.
9. You will hear a “Do” tone to enter listener monitoring mode by pressing \*13\*1212 where 1212 is the password.
10. You are now in the “listener monitoring mode”.
11. Under this mode speaker is OFF.( 35:speaker ON)
12. You can still control the relay output when you are under listener monitoring mode.

### Enter Access Control Mode

5. Call the telephone number to which ECGO is connected.
6. This device will then verify your phone number with your predefined numbers.
7. You will hear a “Do” tone to enter access control mode by pressing \*33\*5678 where 5678 is the password.
8. Your gate will be opened after enter the correct password

### Enter Programming Mode (programming by dial in)

1. Call the telephone number to which ECGO is connected
2. This device will then verify your phone number with your predefined numbers.
3. You will hear a “Do” tone when ECGO answers the call. To enter into programming mode by pressing \* 12 \* 1234 where 1234 is the password.

4. You are now in the “programming mode”

**Note: At the end of each command there can be one of the two indications:**

**Successful: a long “Do” tone, failed program instruction: three short “Do” tone.**

5. To make changes on settings please refer to the function code table below.
6. To end programming mode just hang up.

Note:

**\*To be successful in programming, originate a call from a land line and enter the digits slowly or using programming by text message.**

\* Programming can be carried out either by text message or by dialing into the ECGO.

\* If the number is programmed to open the gate but you still would like to use the same number to dial in for programming but not for gate open, then you can **disable Caller ID display** on the mobile.

**Programming work sheet  
ECGO Cell Phone Entry System**

**SIM CARD NUMBER;** \_\_\_\_\_

**Owners Phone 1 to 3 must have at least 1 Phone Number always use 1 then area code  
when programming**

**Owner 1 Number:** \_\_\_\_\_

**Owner 2 Number:** \_\_\_\_\_

**Owner 3 Number:** \_\_\_\_\_

**Phone Number of Users (Access to Property up to 100)**

**User 1:** \_\_\_\_\_

**User 2:** \_\_\_\_\_

**User 3:** \_\_\_\_\_

**User 4:** \_\_\_\_\_

**User 5:** \_\_\_\_\_

**For Tech Support Call  
225-274-1115**