

IN-GROUND OPERATOR FOR SWING GATES

FROG SERIES



INSTALLATION MANUAL

FROG-A 24V

“IMPORTANT INSTALLATION, SAFETY INSTRUCTIONS”

“CAUTION: IMPROPER INSTALLATION MAY CAUSE SERIOUS DAMAGE, FOLLOW ALL INSTALLATION INSTRUCTIONS CAREFULLY”

“THIS MANUAL IS ONLY FOR PROFESSIONAL OR QUALIFIED INSTALLERS”



1 Legend of symbols



This symbol tells you to read the section with particular care.



This symbol tells you that the sections concern safety issues.



This symbol tells you what to say to the end-users.

2 Condition of use

2.1 Intended use

The FROG operator was engineered to power residential and condominium swing gates.



The use of this product for purposes other than those described above and installation executed in a manner other than as instructed in this technical manual are prohibited.

2.2 Limits to use

For intensive use and condominiums: max weight of the gate 400kg with max length of 3.5m.

3 Reference Standards

For its quality processes management CAME cancelli automatici is ISO 9001:2000 certified, and for its environmental management it is ISO 14001 certified. CAME engineers and manufactures all of its products in Italy.

This product complies with the following standards: see declaration of conformity.

4 Description

4.1 Operator

This product is engineered and manufactured by CAME CANCELLI AUTOMATICI S.p.A. and complies with current safety regulations.

Guaranteed 24 months if not tampered with.

The operator is made up of a foundation box, a release assembly, a gearmotor and a transmission arm.

Zinc-plated press-forged fondation box for underground installation. On the inside is the release assembly with a customised, manual-release key and the gearmotor – made of a cast aluminium shell, inside of which operates an irreversible, gear-ratio and, endless screw plus helical crown system. A transmission arm is connected to the gearmotor.

4.2 Technical features

FROG-A 24V

Motor power supply: 24V D.C.

Max draw.: 15 A

Power: 180W

Max Torque.: 320N

Opening time (90°): from 16 to 45 s

Gear ratio: 1/1152

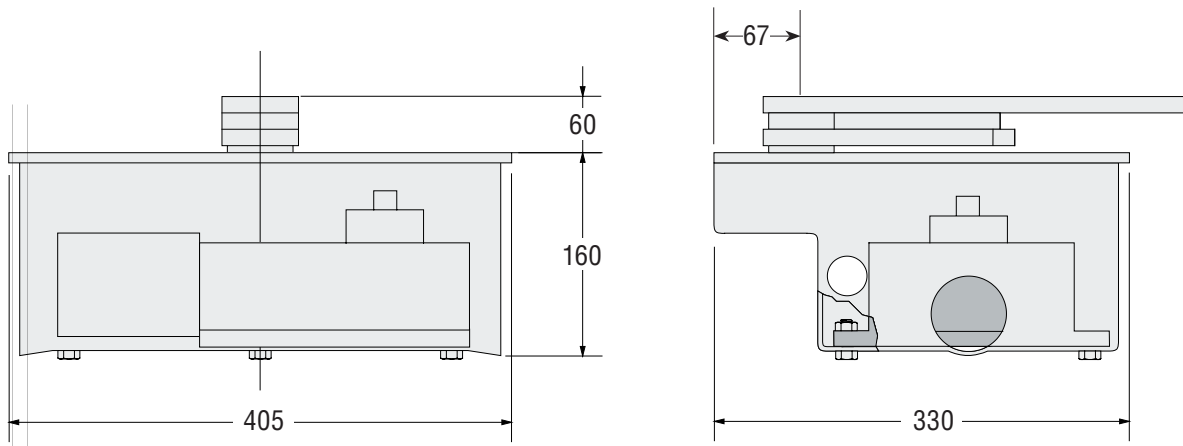
Duty cycle: Intensive use

Protection rating: IP67

Weight: 11,5 kg



4.3 Dimensions




5 Installation

 Installation must be carried out by expert qualified personnel and in full compliance with current regulations.

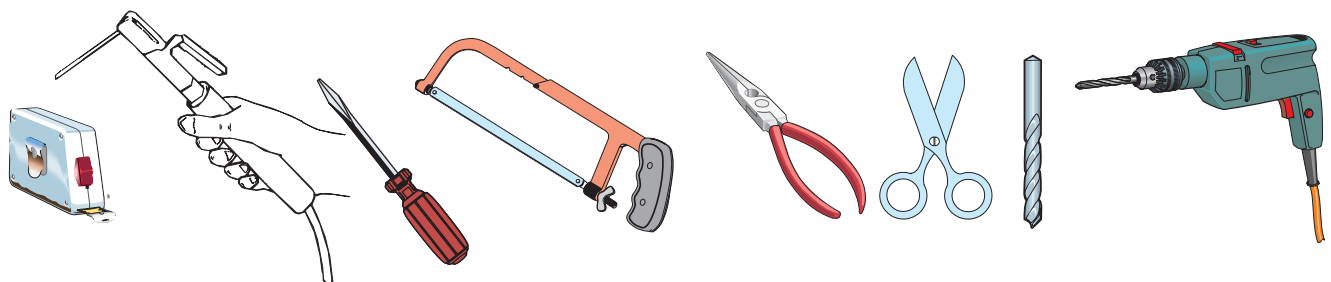
5.1 Preliminary checks

 Before installing, do the following:

- Make sure you have a suitable omnipolar cut-off device with contacts more than 3 mm apart, and independent (sectioned off) power supply;
- Make sure you have suitable tubing and conduits for the electrical cables to pass through and be protected against mechanical damage;
- Fit tubing to drain away any water leaks which may cause oxidation;
-  Make sure that any connections inside the case (that provide continuance to the protective circuit) be fitted with extra insulation as compared to the other conductive parts inside;
- Make sure the structure of the gate is sturdy, the hinges work and that there is no friction between moving and non-moving parts;
- Make sure there is a mechanical stop for opening and closing.

5.2 Tools and materials

Make sure you have all the tools and materials you will need for the installation at hand to work in total safety and compliance with the current standards and regulations. The following figure illustrates the minimum equipment needed by the installer.



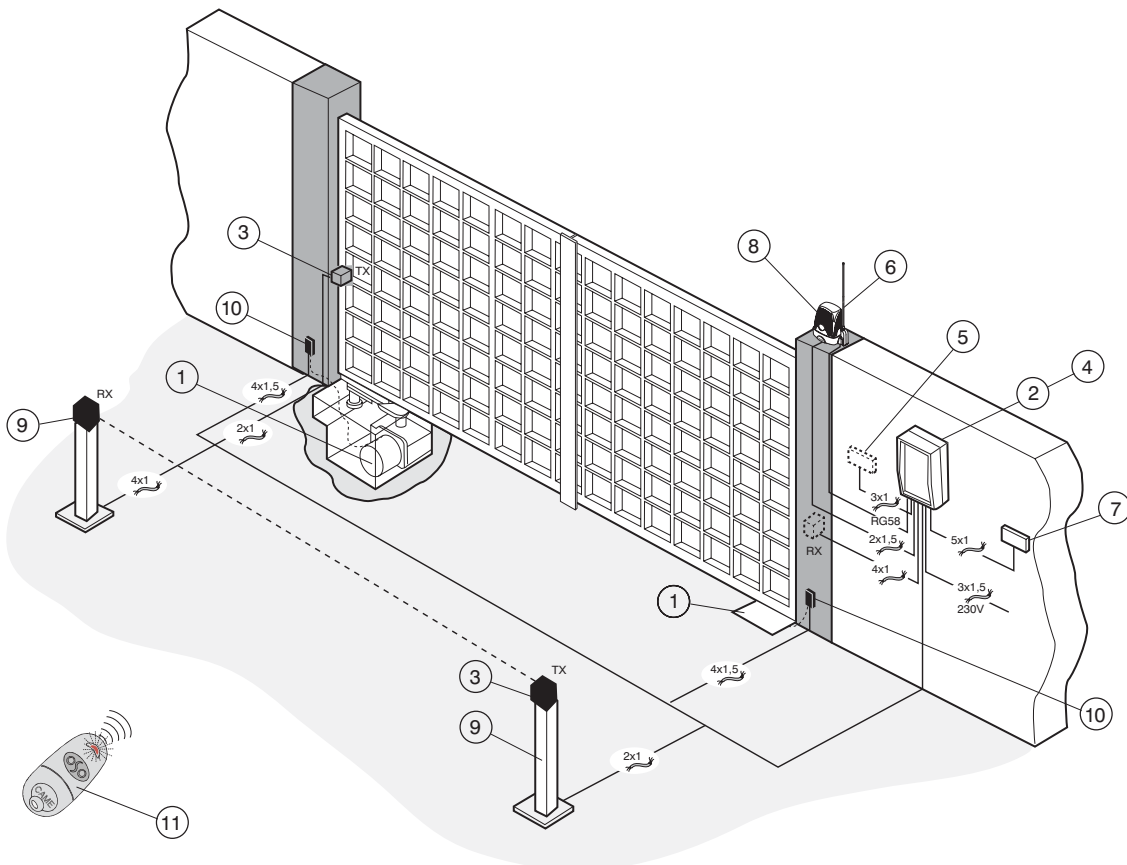
5.3 Cable list and minimum thickness

Connections	Type of cable	Length of cable 1 < 10 m	Leng. cable 10 < 20 m	Leng. cable 20 < 30 m
Control panel power supply 230V	FROR CEI 20-22 CEI EN 50267-2-1	3G 1,5 mm ²	3G 2,5 mm ²	3G 4 mm ²
Motor power supply 24V		2 x 1 mm ²	2 x 1,5 mm ²	2 x 2,5 mm ²
Flashing light		2 x 0,5 mm ²	2 x 1 mm ²	2 x 1,5 mm ²
Photocell transmitters		2 x 0,5 mm ²	2 x 0,5 mm ²	2 x 0,5 mm ²
Photocell receivers		4 x 0,5 mm ²	4 x 0,5 mm ²	4 x 0,5 mm ²
Accessories power supply		2 x 0,5 mm ²	2 x 0,5 mm ²	2 x 1 mm ²
Control and safety devices		2 x 0,5 mm ²	2 x 0,5 mm ²	2 x 0,5 mm ²
Antenna connection	RG58	max. 10 m		

N.B.: If the cable length differs from that specified in the table, then you must determine the proper cable diameter in the basis of the actual power draw by the connected devices and depending on the standards specified in CEI EN 60204-1. For connections that require several, sequential loads, the sizes given on the table must be re-evaluated based on actual power draw and distances. When connecting products that are not described in this manual, please refer to the instructions that come with said products.

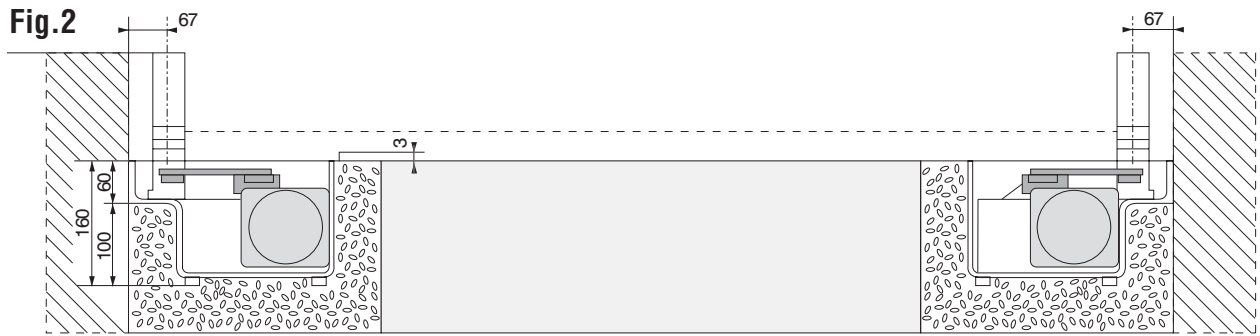
5.4 Standard installation

- 1) FROG unit
- 2) Control panel
- 3) Safety photocells
- 4) Radio receiver
- 5) Key-switch selector
- 6) Antenna
- 7) Command push-buthon panel
- 8) Flashing light
- 9) Photocell column
- 10) Shunt box
- 11) Transmitter



The data and information shown in this dialogue may be changed by Came Cancelli Automatici S.p.A. at any time without prior warning.

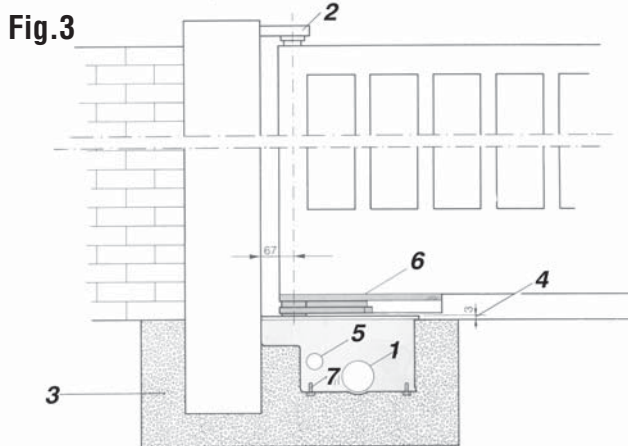
5.5 Assembly diagram



5.6 Installing the unit



- Check the efficiency of both moving and non-moving parts on the structure that will be supporting the operator;
- Determine, depending on the type of supporting structure and desired opening, the exact position of the motor assembly by following the standard applications shown;
- Set up a closing end stop and an opening end stop (fig. 4, p. 5).
- Dig, depending on the size of the assembly, a foundation pit in the chosen spot (Fig. 3);
- Prepare a drainage system in the foundation, to drain away any water leaks which may cause oxidation (fig 3 – part.1);
- The foundation box makes for quick and easy setting up of the assembly. Place it inside the pit with the pin aligned to the upper hinge (Fig. 3 – part. 2), sink it into the cement (Fig. 3 – part. 3) making sure it is perfectly levelled and that the upper edge is 3mm above ground level (Fig. 3 part. 4);
- Plan for the route of the electrical cables according to the command and safety instructions using the apposite hole on the box (Fig. 3 – part. 5);
- Grease the rotation pins of the foundation box and the gate attachment lever; the hinge and pin lever must be aligned;
- Position the gate leaf between the upper hinge and the pin lever; the hinge and pin lever must be aligned;
- Secure the pin lever to the gate leaf, by welding spots 3 to 4 cm apart along the contact surface. Avoid any welding near the threaded screws (Fig. 3 – Part. 6).

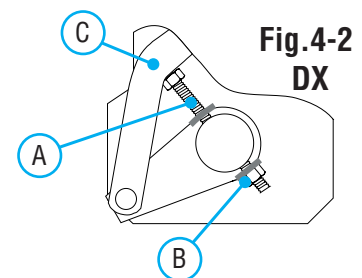
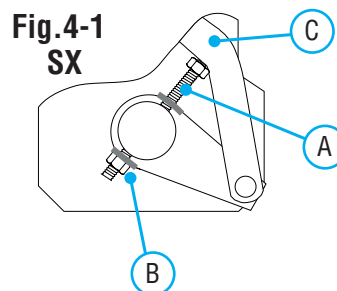
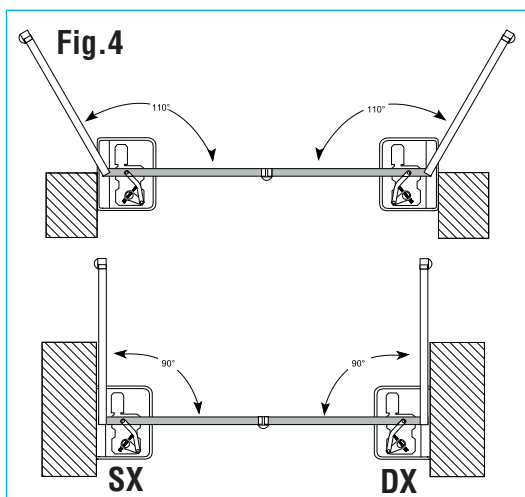


- Screw the M10 x 100 (A) and the M10 (B) bolt onto the gearmotor arm as shown in fig. 4-1 (RIGHT HAND installation) and fig. 4-2 N(LEFT HA D installation);
- Affix the gearmotor to the foundation box using the threaded pins and securing it using the provided bolts and washers;
- Insert the (C) transmission lever between the motor arm and the box lever and electronically shut the gate against the closing end stop.

Adjust screw (A) until it touches the (C) transmission lever.

- When testing, adjust the screw so as to allow proper closing pressure of the gate leaf and allow its re-hooking during the mechanism's release procedure.

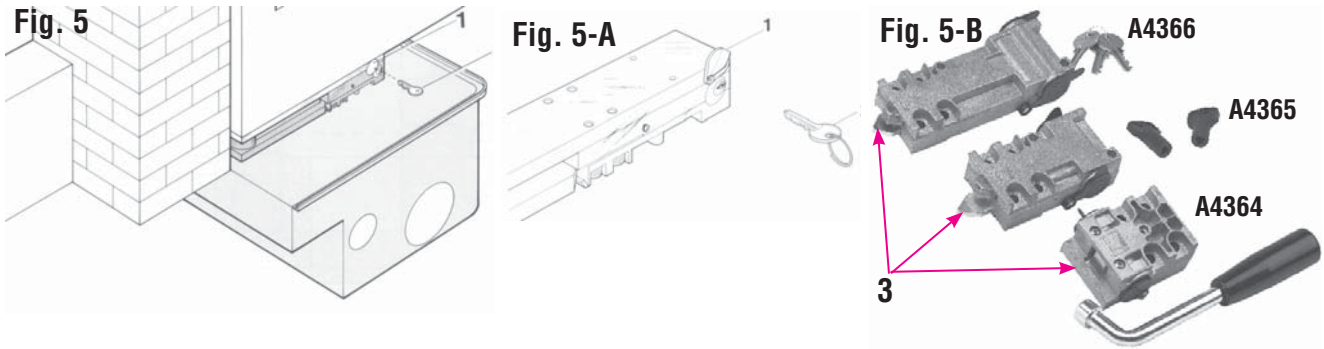
- Once adjustment is complete, secure the (B) nut.



5.7 Manual release

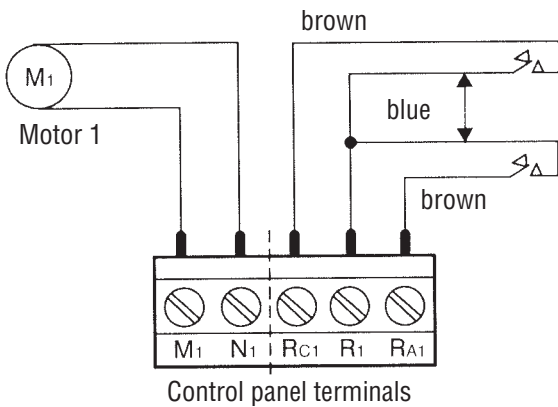
- In emergencies (i.e. power outages) the release mechanisms allow the gate to hook back up when closing.
- You may choose among three different release models: model A4366 with customised key (Fig. 5-A), model A4365 with tri-lobed key and model A4364 with lever key (Fig. 5-B). We suggest greasing the release's hook-up key (Fig. 5-B – part. 3); Consult the documentation pertinent to the relative items for the release procedure.

N. B.: release operations are to be carried out during emergency procedures and with the power disconnected.



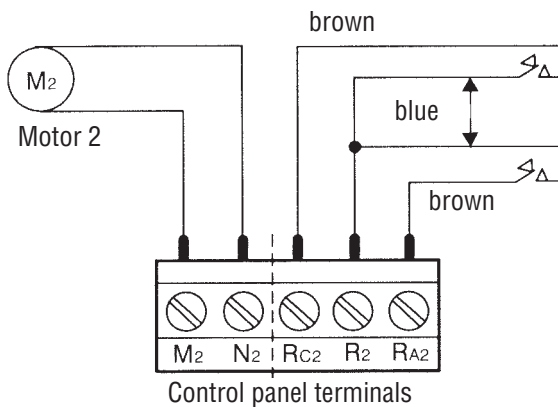
6 Connecting to the control panel

- We suggest making the gearmotor cable connections in shunt boxes;
- For further information concerning the functions, see the technical documentation for the ZL19 N – ZL 170 N control panels.



R1-Ra1
Motor 1 opening brake microswitch.

R1-Rc1
Motor 1 closing brake microswitch.



R2-Ra2
Motor 2 opening brake microswitch.

R2-Rc2
Motor 2 closing brake microswitch.

The data and information shown in this dialogue may be changed by Came Cancelli Automatici S.p.A. at any time without prior warning.

6.1 Adjusting the brake microswitches

– Using the motor, make so that the gate leaf is max 500mm from being fully opened.

At this point do a first adjustment of the (endstop) microswitches, positioning them close to the magnet. Consider that this type of endstop reads the magnetic field. You may have to repeat the procedure to increase the precision of the adjustment (fig. 6/7);

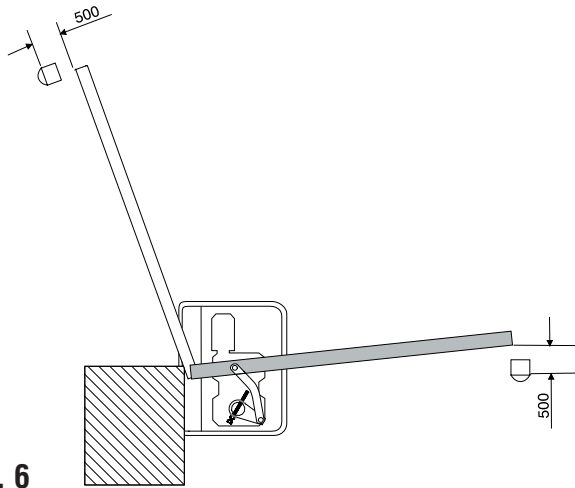


Fig. 6

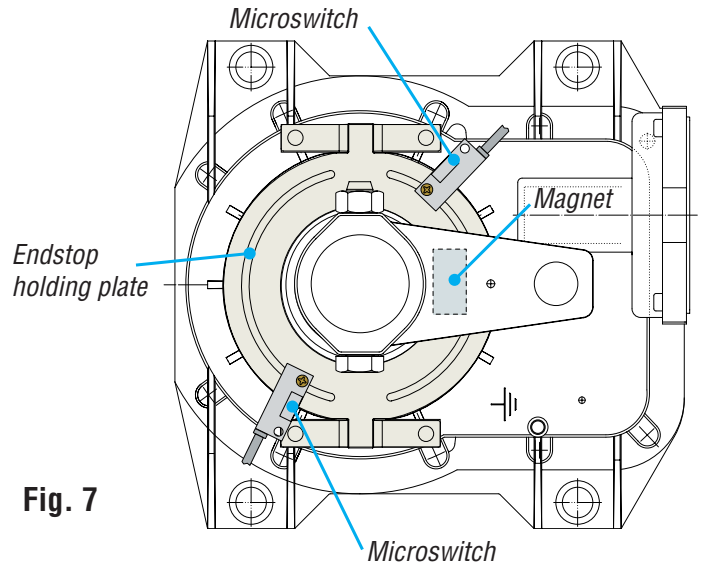


Fig. 7

6.2 Adjusting the limit stop's stopping zone

Prepare a 60x30 mm template - and hold it up against one of the two mechanical stops as shown in fig. 8 (adjustment is to be made either on the closing endstop or opening endstop).

Activate the gate - either using a command button or the remote control - and turn the OP TIME (TL) trimmer clockwise until the gate leaf inverts its direction just as it touches the obstacle/template.

Then turn the template from its short side (fig. 9) and check that the gate leaf stops against the obstacle/template. Otherwise activate the trimmer clockwise.

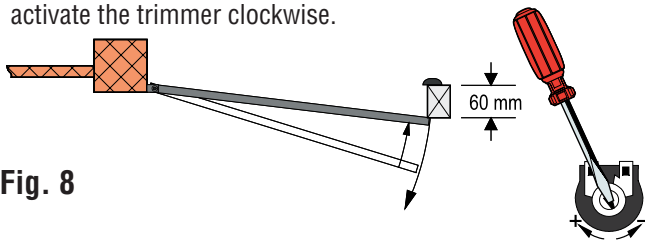


Fig. 8

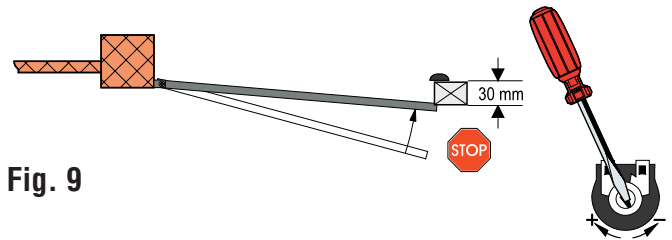
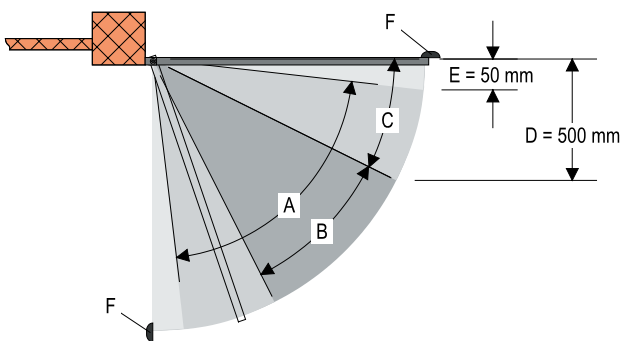


Fig. 9

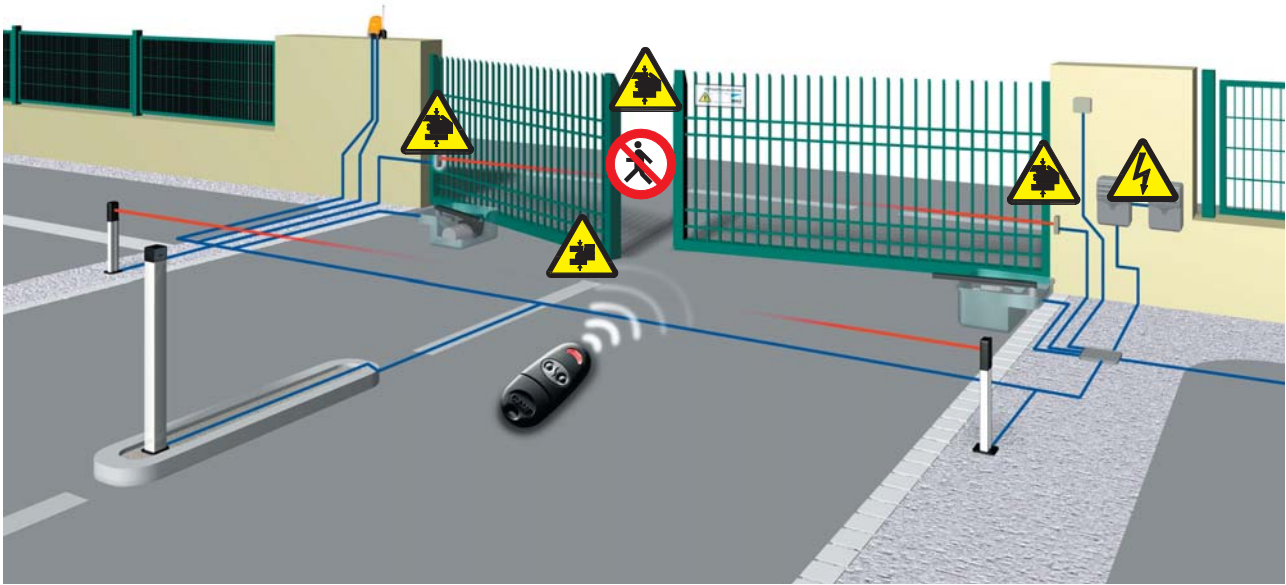


- A =Effective range of the motion-inverter amperometric sensor.
- B =Run zone at normal speed.
- C =Run zone at slow speed.
- D =Effective range of the motion-stop amperometric sensor
- E =Opening/Closing position mechanical gate stops

7 Safety instructions

Important safety instructions

This product must only be employed for its originally intended use. Any other use is wrong and potentially dangerous. The manufacturer cannot be held liable for any damages resulting from wrongful, erroneous or negligent uses. Avoid working close to the hinges or other moving mechanical parts. Stay out of the opening/closing arc when operator is in motion. Do not exercise force against the motion of the operator as this could result in potentially dangerous situations.



Do not allow children to play or loiter within the opening/closing arc of the operator. Keep remote controls and any other command device out the reach of children, to prevent operator from being activated by accident. In the event of anomalous behaviour, stop using the operator immediately.



Danger of crushing hands



Danger! High voltage




Danger of crushing feet



No transit during operation

8 Maintenance

8.1 Periodic maintenance

 Periodic maintenance to be carried out by the end-user is as follows: wipe clean the glass surface of the photocells; check that the safety devices work properly; remove any obstructions.

We suggest checking the state of lubrication and tightness of the anchoring screws on the operator.

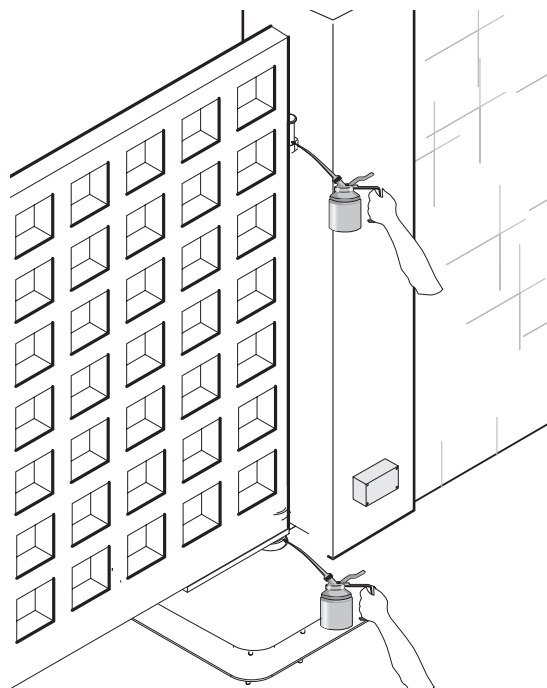
To check the efficiency of the safety devices, move an object in front of the photocells when gate is closing. If the operator inverts the motion or stops, the photocells are working properly.

This is the only maintenance procedure to be carried out with the power source connected.

Before performing any maintenance procedures, cut off the main power, to prevent possible accidents due to gate movement.

To clean the photocells use a water dampened cloth. Do not use solvents or other chemical products which may ruin the devices.

In the event of any strange vibrations or squeaking, lubricate the joints with grease, as shown in the diagram.



Make sure there are no plants within the photocell's beam, and that the gate motion is free of any obstacles.


8.2 Trouble shooting

MALFUNCTIONS	POSSIBLE CAUSES	CHECK AND REMEDIES
The gate will not open nor close	<ul style="list-style-type: none">• There is no power• The gearmotor is released• The remote control's batteries are run down• The transmitter is broken• The stop button is either stuck or broken• The opening/closing button or the key selector are stuck	<ul style="list-style-type: none">• Check that the power is up• Call assistance• Replace batteries• Call assistance• Call assistance• Call assistance
The gate opens but will not close	<ul style="list-style-type: none">• The photocells are engaged	<ul style="list-style-type: none">• Check that photocells are clean and in good working order• Call assistance
The flasher does not work	<ul style="list-style-type: none">• The bulb is burnt	<ul style="list-style-type: none">• Call assistance

Periodic maintenance log (for end-user) (every 6 months)

Date	Notes	Signature

8.3 Extra-ordinary maintenance

 The following table serves to note down any extraordinary maintenance, repairs or improvements performed by specialised firms.

N.B.: Any extraordinary maintenance must be performed by specialised technicians.


Extra-ordinary maintenance log

Installer's stamp	Operator name
	Date of job
	Technician's signature
	Requester's signature
Job performed _____ _____	
Installer's stamp	Operator name
	Date of job
	Technician's signature
	Requester's signature
Job performed _____ _____	
Installer's stamp	Operator name
	Date of job
	Technician's signature
	Requester's signature
Job performed _____ _____	

The data and information shown in this dialogue may be changed by Came Cancelli Automatici S.p.A. at any time without prior warning.

Installer's stamp	Operator name
	Date of job
	Technician's signature
	Requester's signature
Job performed _____ _____	
Installer's stamp	Operator name
	Date of job
	Technician's signature
	Requester's signature
Job performed _____ _____	

9 Demolition and disposal

 In its premises, CAME cancelli automatici s.p.a. implements an Environmental Management System certified in compliance with the UNI EN ISO 14001 standard to ensure environmental protection. Please continue our efforts to protect the environment—which CAME considers one of the cardinal elements in the development of its operational and market strategies—simply by observing brief recommendations as regards disposal:

DISPOSAL OF PACKAGING

The packaging components (cardboard, plastic, etc.) are all classifiable as solid urban waste products and may be disposed of easily, keeping in mind recycling possibilities.

Prior to disposal, it is always advisable to check specific regulations in force in the place of installation.

PLEASE DISPOSE OF PROPERLY!

PRODUCT DISPOSAL

Our products are made up of various types of materials. Most of them (aluminium, plastics, iron, electrical wires, etc.) may be disposed of in normal garbage collection bins and can be recycled by disposing of in specific recyclable material collection bins and disposal in authorized centres.

Other components (electrical boards, remote control batteries, etc.), however, may contain polluting substances.

They should therefore be removed and given to qualified service companies for proper disposal.

Prior to disposal, it is always advisable to check specific regulations in force in the place of disposal.

PLEASE DISPOSE OF PROPERLY!

10 Maker's statement



MANUFACTURER'S DECLARATION OF CONFORMITY

Pursuant to annex II B of the Machinery Directive 98/37/EC



CAME Cancelli Automatici S.p.A.
via Martiri della Libertà, 15
31030 Dosson di Casier - Treviso - ITALY
tel (+39) 0422 4940 - fax (+39) 0422 4941
internet: www.came.it - e-mail: info@came.it

IMPORTANT WARNING!

Do not use the equipment specified here above, before completing the full installation
In full compliance with the Machinery Directive 98/37/EC

Declares under its own responsibility that the equipments for automatic garage doors and gates listed below:

FROG-A

... comply with the National Law related to the following European Directives and to the applicable parts of the following Standards.

98/37/CE - 98/79/CE	MACHINERY DIRECTIVE
98/336/CEE - 92/31/CEE	ELECTROMAGNETIC COMPATIBILITY DIRECTIVE
73/23/CEE - 93/68/CE	LOW VOLTAGE DIRECTIVE
89/106/CEE	CONSTRUCTION PRODUCTS DIRECTIVE

EN 13241-1	EN 12635	EN 61000-6-2
EN 12453	EN 12978	EN 61000-6-3
EN 12445	EN 60335-1	EN 60204-1

MANAGING DIRECTOR
Mr. Andrea Menuzzo

Reference code to request a true copy of the original: **DDF B EN A001D**

CAME UNITED KINGDOM LTD
UNIT 3, ORCHARD BUSINESS PARK TOWN
STREET, SANDIACRE
NOTTINGHAM - NG10 5BP - U.K.
Tel 0044 115 9210430
Fax 0044 115 9210431

