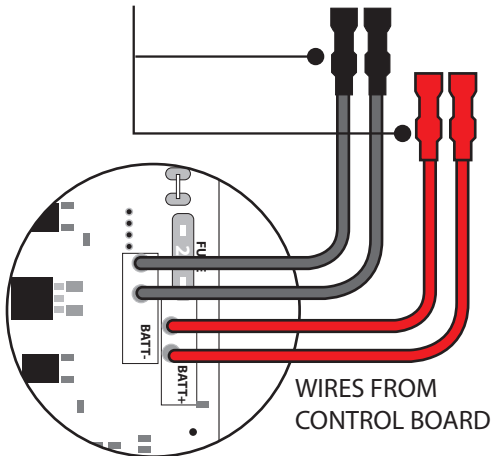


LARGE CONTROL BOX BATTERY WIRE HARNESS R4230

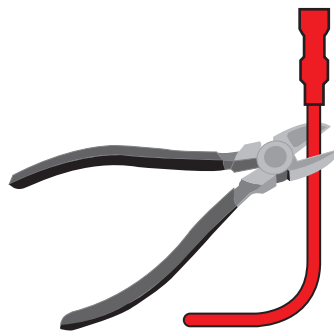
Connection Instructions



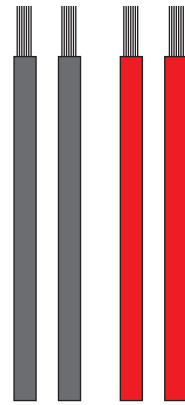
1. Locate the control board's battery wires.



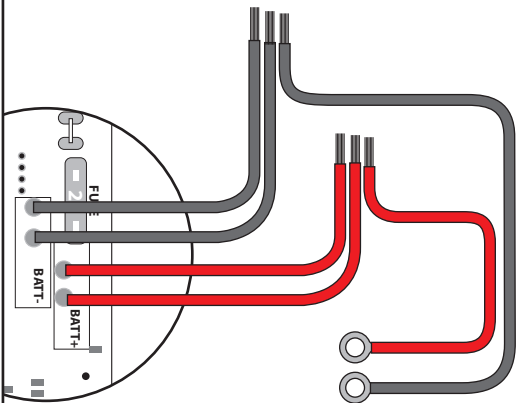
2. Cut each of the four connectors off with wire cutters.



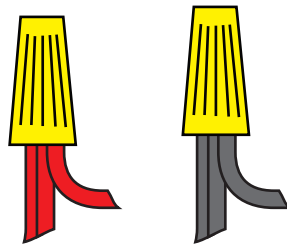
3. Strip back $\frac{3}{4}$ " of the insulation with a wire stripper.



4. Twist both RED wires from the control board together with the RED wire from the battery harness provided. Do the same with the BLACK wires.



5. Secure the wires with the wire nuts provided.



6. Connect the wires from the battery harness to the battery terminals. RED to the POSITIVE TERMINAL - BLACK to the NEGATIVE TERMINAL.

